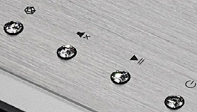
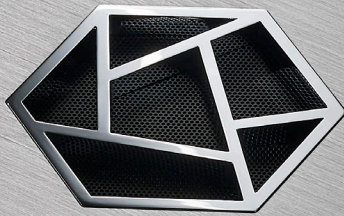




# Beyond Audio, **HiFi ROSE**

Ultimate Network Transport **RS130**



rose

Ultimate Network  
flac 24bit 192kHz 2ch



ROSE-B2

▶ Ultimate Network Transport R5130



ROSE Radio



Apple Music



Tidal



Qobuz



Home

ROSE

1074



Beyond Audio, **HiFi ROSE**



rose

# Ultimate Network Transport RS130

- High-precision OCXO clock for Long-Term Jitter Reduction
- Fiber Optic Ethernet and Fiber Optic USB connectivity
- Network Streaming with SSD Caching Playback
- External master clock input
- Minimize electrical noise with full linear power configuration using Super capacitor

Hi-Res	DSD	Native DSD 512	In/Out Port	HDMI Out	4K
	PCM	32bit/768kHz		Ethernet	10/100/1000 BASE-T x 1 (SFP COPPER Type)
In/Out Port	Digital Out	OPT x 1, COAX x 1, AES/EBU x 1, I2S-HDMI x 1	Network Connection	WiFi	802.11ac Dualband USB Wireless LAN Card (Dongle)
	USB Audio Out	USB Type-A 2.0 (Isolation)		Bluetooth	V4.2 (USB Dongle)
	EXT. Clock Input	50Ω, 75Ω			

**Connectivity** Bluetooth, DLNA, Airplay, Spotify Connect, Roon Ready

**Design** 430\*317\*125 mm / 12 kg / 15.4" Wide viewing angle touch screen / Color: Black, Silver



# Advanced All-In-One Network Streamer RS520

- Reference Grade All-in-One Network Streamer
- Network Streamer + DAC + Class AD Amplifier with next generation GaN FET
- High-Resolution Music Playback available(DSD512, PCM32bit/768kHz)
- A Femto Clock provides Ultra Precision
- The Special Linear Power Supply Configuration minimizes electrical noise

Hi-Res	DSD	Native DSD 512	In/Out Port	Speaker	2ch 250W(8Ω)
	PCM	32bit/768kHz		USB Audio In	USB B Type 2.0
In/Out Port	Digital In	Optical, Coaxial, eARC	Network Connection	USB Audio Out	USB A Type 3.0
	Digital Out	Optical, Coaxial		Amp	250W + 250W @ 8Ω, 4Ω
	Analog In	Line In		Ethernet	10/100/1000 BASE-T
	Analog Out	Pre-out_RCA		WiFi	Optional_dongle (2.4GHz/5GHz)
	HDMI Out	4K		Bluetooth	Optional_dongle

**Connectivity** Bluetooth, DLNA, Airplay, Spotify Connect, Roon Ready

**Design** 346\*328\*127 mm / 8.1 kg / 12.6" Wide viewing angle touch screen / Color: Black, Silver



# Integrated Amplifier - With Gallium Nitride Amplifier built in RA180

- Class AD Amplifier with next generation GaN FET
- Multi Output Component
- Designed to play up to the Super Twitter Realm
- Balanced Power Supply
- PHONO Amplifier with Variable EQ

In/Out Port	Analog In	Line1, Line2, Line3(Bypass), Balanced, Phono(MM/MC)
	Analog Out	Sub Woofer
Speaker	Stereo(A/B)	4ch 200W(8Ω)
	Stereo(A), BTL(B)	Stereo(A): 4ch 200W(8Ω) / BTL(B) : 2ch 400W(8Ω)
	BTL(A/B)	BTL(A) : 2ch 400W(8Ω) / BTL(B) : 2ch 400W(8Ω)

**Design** 430\*391\*124 mm / 16.7 kg / High Purity Aluminum / Color: Silver



# High Performance Network Streamer RS150 Series

- Flagship Network Streamer
- Network Streamer + DAC
- High-tech DAC design for pure sound with low noise and low distortion
- High-Resolution Music Playback available(DSD512, PCM32bit/768kHz)
- A Femto Clock provides Ultra Precision
- The Special Linear Power Supply Configuration minimizes electrical noise

Hi-Res	DSD	Native DSD 512	In/Out Port	HDMI Out	4K
	PCM	32bit/768kHz		USB Audio In	USB B Type 2.0
In/Out Port	Digital In	Optical, Coaxial, AES/EBU, HDMI ARC, USB Audio	Network Connection	USB Audio Out	USB A Type 3.0
	Digital Out	Optical, Coaxial, AES/EBU, I2S-DVI, I2S-RJ45		Ethernet	10/100/1000 BASE-T
	Analog In	Line In		WiFi	Optional_dongle
	Analog Out	Pre-out_XLR, Pre-out_RCA		Bluetooth	Optional_dongle

**Connectivity** Bluetooth, DLNA, Airplay, Spotify Connect, Roon Ready

**Design** 430\*318\*124 mm / 11 kg / 14.9" Wide viewing angle touch screen / Color: Black, Silver



# Complete HiFi Network Streamer RS250A

- Reference Grade All-in-One Network Streamer
- Network Streamer + DAC
- High-Resolution Music Playback available(DSD512, PCM32bit/768kHz)
- A Femto Clock provides Ultra Precision
- The Special Linear Power Supply Configuration minimizes electrical noise

Hi-Res	DSD	Native DSD 512	In/Out Port	Headphone Out	3.5mm
	PCM	32bit/768kHz		USB Audio In	USB B Type 2.0
In/Out Port	Digital In	Optical, Coaxial	Network Connection	USB Audio Out	USB A Type 3.0
	Digital Out	Optical, Coaxial		Ethernet	10/100/1000 BASE-T
	Analog In	Line In		WiFi	802.11 a/b/g/n/ac (2.4GHz/5GHz)
	Analog Out	Pre-out_RCA		Bluetooth	V4.0 / V3.0+HS
	HDMI Out	4K			

**Connectivity** Bluetooth, DLNA, Airplay, Spotify Connect, Roon Ready

**Design** 278\*231\*83 mm / 3.2 kg / 8.8" Wide viewing angle touch screen / Color: Black, Silver



# HiFi Network Streamer RS201 Series

- Reference Grade All-in-One Network Streamer
- Network Streamer + DAC + AMP
- Built-in High-Performance Power Amplifier(50W\*2ch)
- High-Resolution Music Playback available(DSD256, PCM32bit/384kHz)
- A Femto Clock provides High Precision
- Digital equipment, PreAmplifier connection available
- Awarded the world's three major design awards(Reddot, GOOD DESIGN, PIN-UP)

Hi-Res	DSD	Native DSD 256	In/Out Port	Headphone Out	3.5mm
	PCM	32bit/384kHz		USB Out	USB A Type 3.0 / 2.0
In/Out Port	Digital In	Optical	Network Connection	AMP	50W X 2CH(4Ω)
	Digital Out	Optical		Ethernet	10/100/1000 BASE-T
	Analog In	Line In		WiFi	802.11 a/b/g/n/ac (2.4GHz/5GHz)
	Analog Out	Pre-out_RCA		Bluetooth	V4.0 / V3.0+HS
	HDMI Out	4K			

**Connectivity** Bluetooth, DLNA, Airplay, Spotify Connect, Roon Ready

**Design** 278\*231\*85 mm / 2.3 kg / 8.8" Wide viewing angle touch screen / Color: Silver



## HiFi Media Player RS301

- High-end All-in-One Speaker
- Network Streamer + DAC + AMP + SPEAKER
- 3-Way full-range speaker configuration
- High-Resolution Music Playback available(DSD256, PCM32bit/384kHz)
- Powerful sound playback with dual passive woofer engine design(Patented technology)
- Awarded the world's three major design awards(Reddot, PIN-UP, iF)

**Connectivity** Ethernet, WiFi, Bluetooth, DLNA, Airplay

**Rear** Micro USB, USB A Type, USB B Type, Micro SD, Headphone, AUX

**Design** 360\*122\*119 mm / 1.9 kg / 5" IPS touch panel / Color: Silver



## Premium Media Player RS350

- Casual All-in-One Speaker
- Network Streamer + DAC + AMP + SPEAKER
- 3-Way full-range speaker configuration
- Playback of various file formats available(Music, Video, Image)
- Powerful sound playback with dual passive woofer engine design(Patented technology)

**Connectivity** WiFi, Bluetooth, DLNA, Airplay

**Rear** Micro USB, USB A Type, Micro SD, Headphone

**Design** 364\*123\*123 mm / 1.5 kg / 5" IPS touch panel / Color: White



## HiFi ROSE CD Drive RSA780 Series

- USB-isolator Adopted to block motion noise
- USB-B Type Port Adopted for HiFi Audio
- 900g weight for CD playback without external shaking
- Minimized Motion Noise by applying Insulators
- Provides CD Ripping Features

**Rear** USB B Type

**Design** 152\*152\*25 mm / 0.9 kg / Color: Silver



# Innovative ROSE OS System



## Spotify Connect

Spotify Connect allows you to play and wirelessly control Spotify music on your ROSE OS over a network. With the Spotify Connect function, you can enjoy a variety of music with HiFi sound quality on your ROSE device.



## TIDAL

Enjoy music streaming and videos with TIDAL's unique features. Supports MQA Full Decoder, so you can enjoy high-resolution music.



## Qobuz

Enjoy music streaming with Qobuz's various functions. Support for Hi-Res Audio(24bit/192kHz) means you can enjoy high-resolution music.



## Roon Ready

ROSE OS is fully compatible with Roon Core, with Roon Ready certification in compliance with all requirements of Roon Labs. You can enjoy HiFi sound quality on your ROSE device with the powerful music management capabilities of Roon.



## Bugs

Listen to high-resolution music on Bugs. Easily connects existing functions, including login, playlists, and playback.



## ROSE Podcast

Listen to various podcasts from around the world.



## Clock

Various design clock functions are provided, such as alarms and weather information.



## Apple Music App

Enjoy curated playlists divided by Apple Music's own musical tastes. You can enjoy various tracks in Apple Music.



## Hi-Res Audio

HiFi ROSE devices are certified with a 'High-Resolution Audio' license from the JAS (Japan Audio Society).



## 4K Video

You can enjoy high-definition videos on YouTube, TIDAL, and Bugs, and play video files in various formats.



## MQA

Supports MQA's Full Decoder. Enjoy studio mastering sound quality.



## ROSE Radio

Enjoy Rose Radio, which consists of about 30,000 radio channels from 200 countries around the world. Channels are organized into various categories, and you can easily search for channels with filters of genre/region/language.



## ROSE Tube

You can enjoy all content and music on YouTube.



## CD Player

Play CDs by connecting an external USB CD-ROM.



## CD Ripping

Rip CDs by connecting an external USB CD-ROM and save them on a storage device.



## File Manager

You can perform file and folder management tasks, such as moving, copying, and deleting, on storage device.



## Music Library

Manage your music files under various categories, such as albums, artists, and genres.



## My Playlist

Create your own playlist. You can also register your friends and share it with them.

# ROSE Connect Remote Application

A dedicated Remote App is provided that allows users to conveniently control and smartly manage their ROSE device. The Remote App is supported on various platforms, including the iPhone, iPad, Android phone, and PCs.

## Control

You can freely and conveniently control various HiFi ROSE functions wirelessly.

**Control** You can control a variety of functions remotely including Music, ROSE Tube, TIDAL, Qobuz, Bugs, Radio, Podcasts, Apple Music and CD Ripping.

**Remote** ROSE Connect includes the remote control function.

**Search** You can conveniently search for a variety of music in the Media Library.

## Streaming

You can simply and easily play music stored on your phone on your ROSE device. Enjoy a lossless, high-quality streaming service.

## Playlist

You can create your own playlist.

Make a playlist on Music and ROSE Tube and check it out at Home - My Music.

## Share with Friends

You can share your playlists with your friends or listen to music recommended by them. Communicate with your friends through music.

## Media Library

Scan the music in your local memory to organize it into various categories.





rose

# **OWNER'S MANUAL**

RS130 Product User Manual

# Table of Contents

<b>Safety Precautions</b>	16
1. Warnings	16
2. Precautions	16
<b>Components List</b>	17
<b>Location / Function of Buttons and Ports</b>	18
1. Front Side of the Product	18
2. Rear Side of the Product	19
3. Remote Control	20
<b>How to Install the Product</b>	21
1. Product Design Method and Recommended Installation Location	21
2. How to Connect the Power Cord	22
3-1. How to Connect the Digital Output Port to the Audio Device (TV or Devices That Provide Digital Input/Output Capabilities)	23
3-2. I2S Connection	24
3-3. HDMI Connection	25
3-4. USB 3.0 FIBER	26
3-5. Connect to Ethernet SFP	27
3-6. How to Connect the USB Flash Drive to DAC	28
3-7. How to Connect the USB Audio Output Port to External DAC	28
4. External Memory Devices(USB) and SATA Storage Devices	29
5. How to Connect SSD	30
5-1. How to Insert SSD	
5-2. How to Format after Installing SSD	
5-3. How to Copy Files Through the Network	
6. Network Connection	32
6-1. Ethernet Connection(Wired)	
6-2. WiFi Connection(Wireless)	
7. How to Pair with the Bluetooth Remote Control	33
8. How to Connect to RoonReady	34

## **Default Settings** \_\_\_\_\_ 36

### **1. Power Button**

### **2. In/Out Setting**

#### 2-1. CLOCK INPUT

2-1-1. INTERNAL CLOCK INPUT

2-1-2. EXT CLOCK INPUT

#### 2-2. OUTPUT

##### 2-2-1. USB DAC Output

2-2-1-1. MQA Type

2-2-1-2. PCM Resampling Frequency

2-2-1-3. DSD Mode

2-2-1-4. Software Volume Control

2-2-1-5. The low 8 bits of a 32-bit sound sources will have corrected

##### 2-2-2. HDMI Output

2-2-2-1. PCM Resampling Frequency

2-2-2-2. DSD Mode

2-2-2-3. Software Volume Control

2-2-2-4. HDMI Passthrough

##### 2-2-3. Digital Output

2-2-3-1. MQA Type

2-2-3-2. I2S OUT(DVI)

2-2-3-3. PCM Resampling Frequency

2-2-3-4. DSD Mode

## **Playback** \_\_\_\_\_ 43

### **1. Default Playback** \_\_\_\_\_ 43

### **2. Media Library** \_\_\_\_\_ 43

2-1. Activate Media Scanning

2-2. After Media Scanning

## **Additional Information** \_\_\_\_\_ 45

### **1. Firmware Update** \_\_\_\_\_ 45

1-1. Run OTA Update

1-2. Update Via Settings Menu

1-3. How to Install the Firmware When the XMOS / MCU Update Pop-Up Occurs

### **2. Factory Reset** \_\_\_\_\_ 48

## **Product Specifications** \_\_\_\_\_ 49

### **1. Specifications** \_\_\_\_\_ 49

## **Quality Guaranteed** \_\_\_\_\_ 50

# Safety Precautions

## 1. Warnings

---

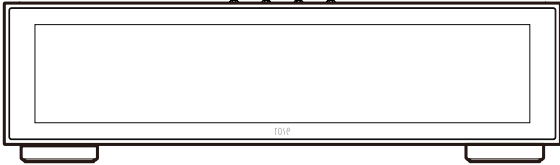

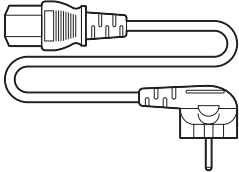


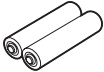
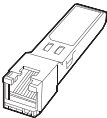
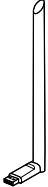
- Do not apply excessive force on the product, throw it, or strike it with sharp objects.
- Children should only use the product under adult supervision to ensure proper usage.
- Use within a temperature range of 0°C to 40°C and do not use in hot or humid conditions. Install the product in a well-ventilated area, not an enclosed space. The product may break, corrode, overheat, or catch fire in an environment below 0°C or in a sealed environment with a high temperature, such as a sauna. Moisture or liquid can also damage the surface of the product and its circuit components.
- Be sure to use a genuine power cable provided by ROSE. Any other cable may cause operational errors or damage (decreased performance) to the product.
- Do not spill dirt or liquid on the product. It may damage the components and circuits. If the product gets wet, do not turn it on and contact your nearest service center. However, free repairs are not available in this case.
- Do not connect antennas or accessories that are not certified by ROSE to the product, and do not place the product on objects that may interfere with radio waves (steel desk, microwave oven, etc.).
- Because the product is sensitive to radio waves, using it near steel or electromagnetic devices can lead to poor performance.
- How to replace the fuse: After turning off the product, remove the fuse and replace it with a fuse of the same type.

## 2. Precautions

---

- The contents of the owner's manual are described based on the default settings of the product.
- Some contents of this manual may be changed without prior notice to the user in order to improve product performance.
- The features and additional services of the product may vary depending on the country, Software specifications, and policy changes of the service provider.
- Repairs due to user negligence or product failure may erase user data (music files, video files, etc.).  
ROSE is not responsible for any damage or loss of data.
- If you use Bluetooth and 2.4GHz band wireless LAN together, the WiFi connection may be slow or audio playback through Bluetooth may not work properly due to signal interference. If you are using them at the same time, we recommend using wireless LAN connections in the 5GHz band.
- Do not use chemical solutions (alcohol, thinner, solvents, etc.) or detergent to clean the product. Rubbing the product with a chemical solution can create heat and cause the product to catch fire. When cleaning the product, wipe it with a soft cloth or towel.
- Do not disassemble, modify or repair the product on your own. If you do, you will no longer qualify for free repairs. If a malfunction occurs because of this, contact an authorized service center for repairs.
- Only programs provided by the manufacturer are available. Transferring independently created files or user-modified files to the product can cause operational errors or cause serious problems with the product. ROSE is not responsible for any problems that arise in this case.
- If the touch screen is damaged, do not touch it with your hands. Contact the service center immediately, as it may cause injury.
- When you're not going to use the product for a long time, be sure to unplug the power plug from the AC outlet.
- Even after the power has been shut off (manual standby mode), a minimal current remains in the equipment. Remove the plug to prevent power consumption.
- After connecting the power plug and turning on the equipment with the power button, it takes about 30 seconds to complete booting, so please wait for a while.
- Do not power on the device within 10 seconds after shutting off the power and entering manual standby mode. Doing so may cause noise.
- When the power is first connected, the device enters manual standby mode, and in this mode, you have to press the power button to boot it up and use it normally. If you press the power button briefly during use, the device enters active standby mode, and it's only in this mode that you can turn on the power with the Bluetooth remote control or the ROSE Connect application.
- Install the product close to an outlet so that it is easy to remove the plug from the outlet.
- It is recommended to use a certified HDMI cable. Otherwise, a connection error may occur, causing problems with the audio and output screens. In addition, when using a long HDMI cable, please be sure to use an HDMI repeater (Signal Amplifier) device to connect it.

# Components List

1	Main Device	
2	Bluetooth Remote Control (Sold Separately)	
3	Power Cable	
4	User Manual	
5	SSD Mounting Screws	
6	AAA Batteries for Remote Control	
7	SFP RJ45 COPPER TRANSCEIVER MODULE	
8	WiFi/BT Dongle (Sold Separately)	

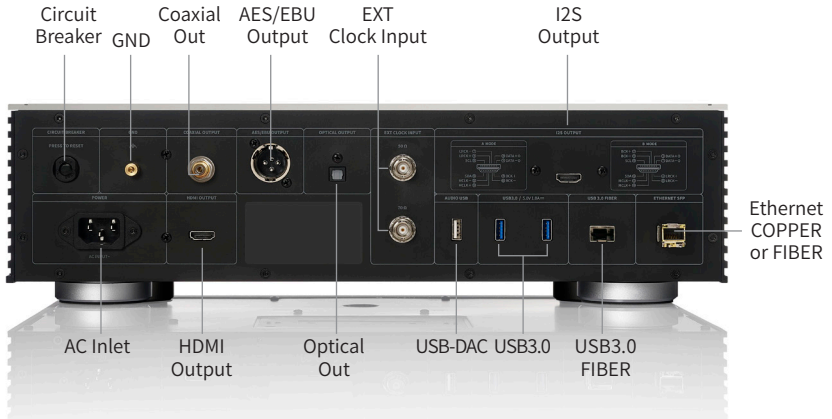
# Location / Function of Buttons and Ports

## 1. Front Side of the Product



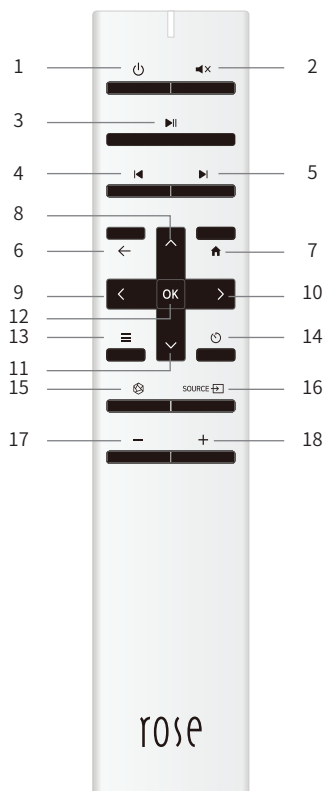
<b>Power</b>	When you press the power button, the LCD panel will turn on and the product will boot. ※ For detailed functions, please refer to “Initial Setup” - “Power Button” (Page 36)
<b>Mute</b>	You can enable / disable sound by pressing the Mute button.
<b>Play / Pause</b>	You can play and pause by clicking the button.
<b>Favorite</b>	Navigate directly to the feature you set under Favorites in System Settings.
<b>IPS Panel</b>	You can move the screen by touching it several times.

## 2. Rear Side of the Product



<b>AC Power Inlet</b>	AC INPUT ~	Connect the AC power cable.
<b>Circuit Breaker</b>		This protection terminal prevents damage to the set due to overvoltage or overcurrent.
<b>COAXIAL Out</b>		Connect the RCA cable to the coaxial port. Digital signals in the range of sampling frequency (44.1 - 384kHz) are output when coaxial mode is set in Input/Output Settings.
<b>HDMI Out</b>		Connect a cable that supports HDMI 2.0. The video output signal (up to 3840 × 2160 pixels, 60 Hz) can be played on your TV or monitor by setting TV ON on the top right of the screen.
<b>AES/EBU Out</b>		Connect the XLR cable. Digital signals (44.1 - 384kHz) are output when AES/EBU mode is set in Input/Output Settings.
<b>OPTICAL Out</b>		Connect the S/PDIF optical cable to the optical out port. Digital signals (44.1 - 192kHz) are output when optical out mode is set in Input/Output Settings.
<b>EXT Clock 50ohm</b>		Connect a 50Ω BNC cable to the EXT CLOCK 50Ω port. You can use it as an external clock input by setting to EXT 50Ω mode in Input/Output Settings.
<b>EXT Clock 75ohm</b>		Connect a 75Ω BNC cable to the EXT CLOCK 75Ω port. You can use it as an external clock input by setting to EXT 75Ω mode in Input/Output Settings.
<b>USB DAC</b>		This port supports only USB 2.0. You can use it by connecting a USB flash drive or an external audio DAC device.
<b>USB 3.0</b>	USB 3.0 5V / 1A	You can play music files by connecting a USB flash drive or using the ripping function by connecting a CD ROM.
<b>USB 3.0 FIBER</b>		This port supports only USB 3.0. It can be used by connecting the SFP module of this product with an external USB 3.0 fiber hub and an optical cable.
<b>Ethernet</b>		10/100/1000 BASE-T Ethernet can be used by using SFP fiber and copper modules.
<b>I2S Out</b>		Connect the HDMI cable to the I2S port. Digital signals are output when I2S (A or B mode) is set in Input/Output Settings.
<b>USB WiFi/BT Dongle</b>	USB WIFI /BT DONGLE 5V / 1A	Connect the USB dongle to this USB port to use wireless network and Bluetooth.
<b>GND</b>		This port is used to ground the product and external devices.

### 3. Remote Control



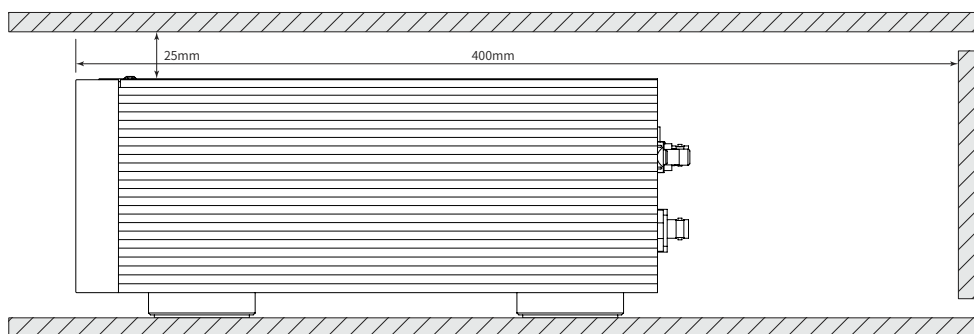
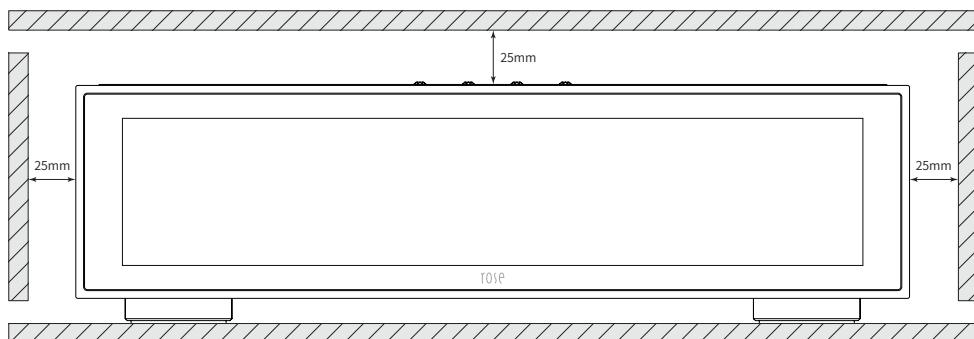
	Function	Note
1	Power On/Off	Sleep Mode On/Off
2	Mute	
3	Play / Pause Current Song	
4	Play Previous Song	
5	Play Next song	
6	Go Back	
7	Go to the Home Screenshot	
8	Move Focus Up	
9	Move Focus Left	
10	Move Focus Right	
11	Move Focus Down	
12	Select Current Focus	
13	Option Key	Works only when playing songs and videos with sub-options (favorite, queue, subscribe) in the list
14	Sleep Timer	
15	Go to Favorites Menu	Go to the favorites menu set on this device
16	Go to External Input/Output Menu	Go to Input/Output page
17	Volume Down	Press and hold to adjust the volume down You can adjust the volume by turning on the Software volume control function
18	Volume Up	Press and hold to adjust the volume up You can adjust the volume by turning on the Software volume control function

※ The battery life of the Bluetooth remote control is about 3 - 4 months on average, and if the power is low due to battery consumption, the Bluetooth remote control may malfunction. In this case, replace the battery before use.

# How to Install the Product

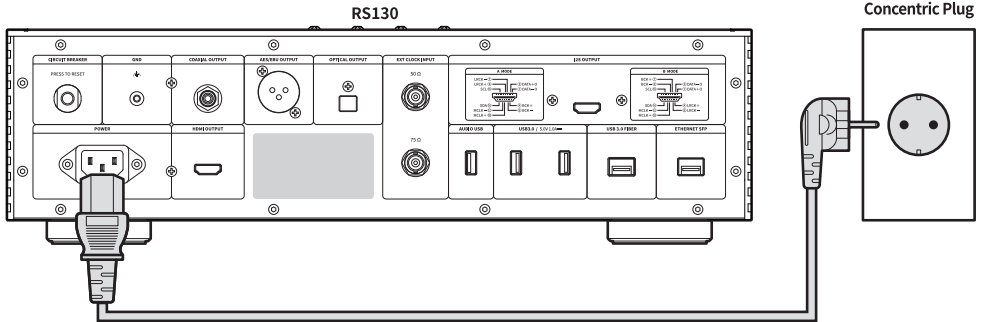
## 1. Product Design Method and Recommended Installation Location

- This product is designed to be used on a table or shelf.
- This product can malfunction during cold weather or hot weather.  
(Operating temperature: 0 to 40°C, Storage temperature: -10 to 50°C)
- If the space where the product is installed is small, provide adequate ventilation for the product. A longer operating life is ensured when electronics are properly ventilated and maintained so that they do not overheat more than necessary. Do not install this product directly on a device that generates a lot of heat, such as a power amplifier.
- The figure below shows the minimum ventilation requirements required for the product.
- Keep at least 2.5cm apart on each side of this product to prevent airflow from clogging.
- Secure a depth of 40cm for airflow and cabling.



## 2. How to Connect the Power Cord

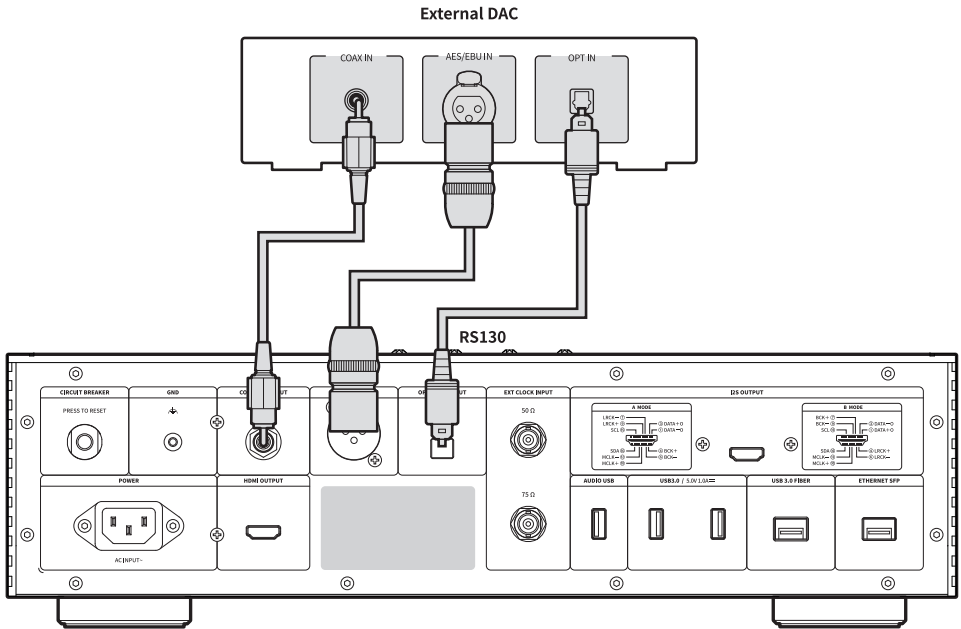
- This product includes a removable power cord. Please connect the power cord after connecting all audio cables.



- ⚠ **Caution:** When disconnecting the power cord, always disconnect the power outlet first with the power switch off.  
As 140-179Vac is rated “Blank”, the product cannot operate.

### 3-1. How to Connect the Digital Output Port to the Audio Device (TV or Devices That Provide Digital Input/Output Capabilities)

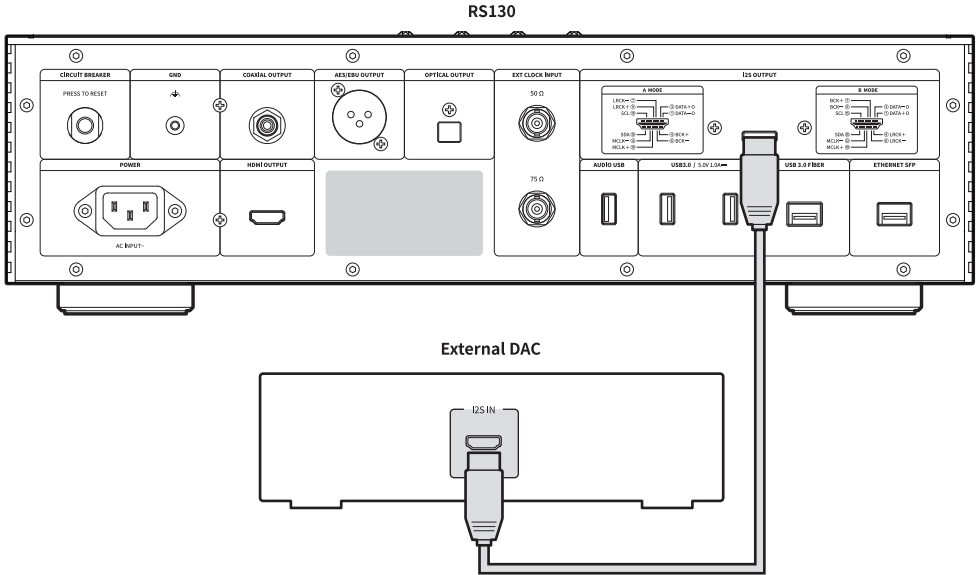
- As shown in the figure below, you can connect the digital input/output device of an external device to the digital (optical/coaxial) input/output port of this product.
- This product can reproduce linear PCM signals with sampling frequencies of 44.1, 48, 88.2, 96, 176.4, 192, and 384kHz. (However, optical is supported up to 192kHz)
- To export digital output, you must enable output mode as optical out, coaxial out, and AES/EUB out in Input/Output Settings.
- You can change Input/Output Settings on the Home screen, in Settings, in Settings on the Rose Connect app, and via the remote control.



**⚠ CAUTION :** Do not input signals other than linear PCM signals, such as Dolby Digital, DTS, and AAC, to this device. It may cause noise and damage to the speakers.

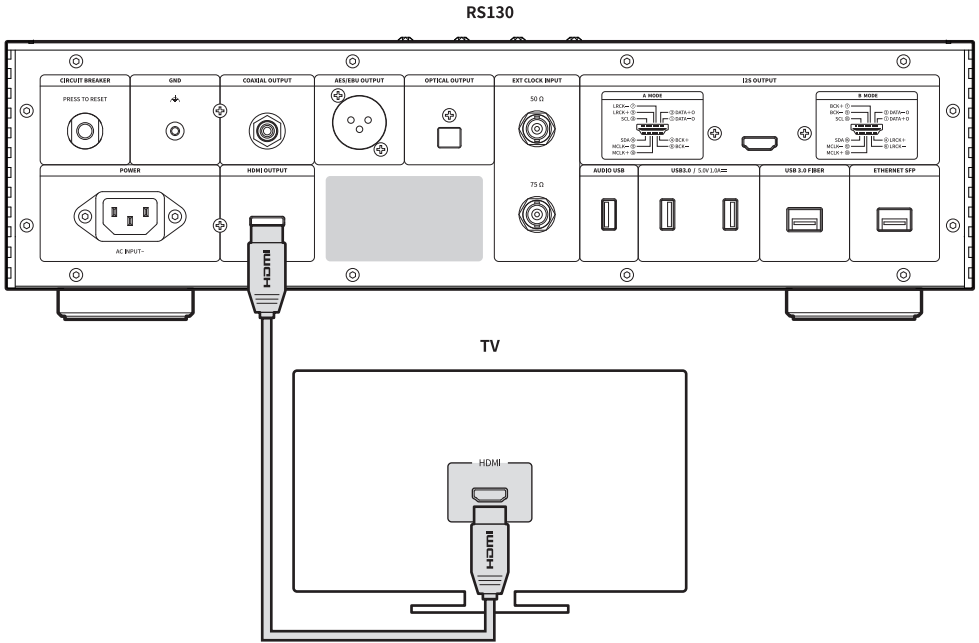
## 3-2. I2S Connection

- I2S As shown in the figure below, you can use this product by connecting the external DAC input terminal to the I2S out (HDMI) port of this product.
- ※ For more information, please refer to “Input/Output Settings” - “OUTPUT” - “Digital Output” (Page 41)



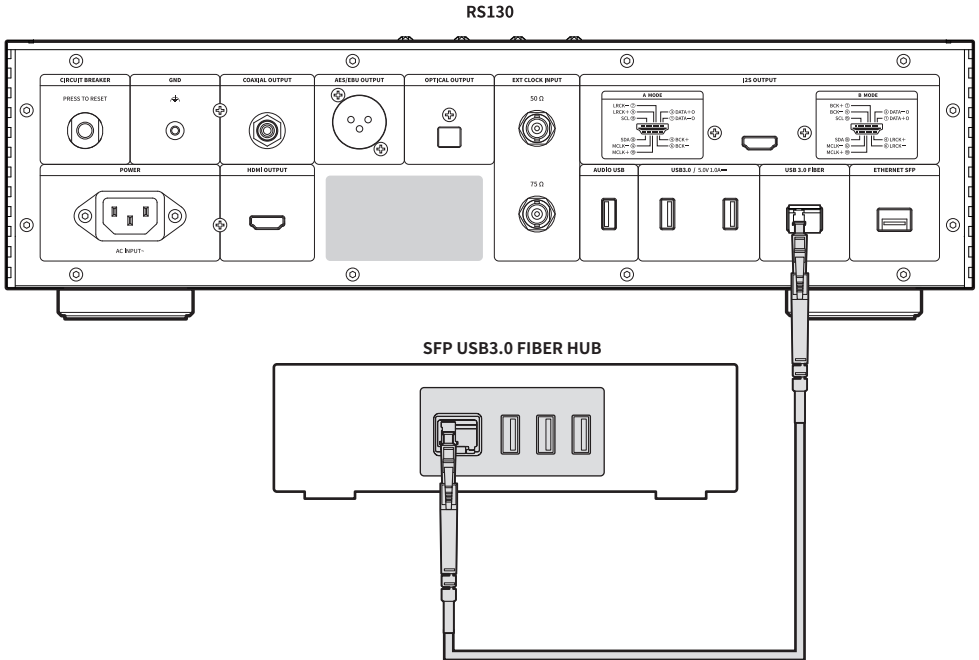
### 3-3. HDMI Connection

- As shown in the figure below, you can connect your TV to the HDMI port of this product.
- After connecting this product and your TV, click the TV ON button on the top right of the screen to play video output signals (up to 3840 x 2160 pixels, 60Hz).



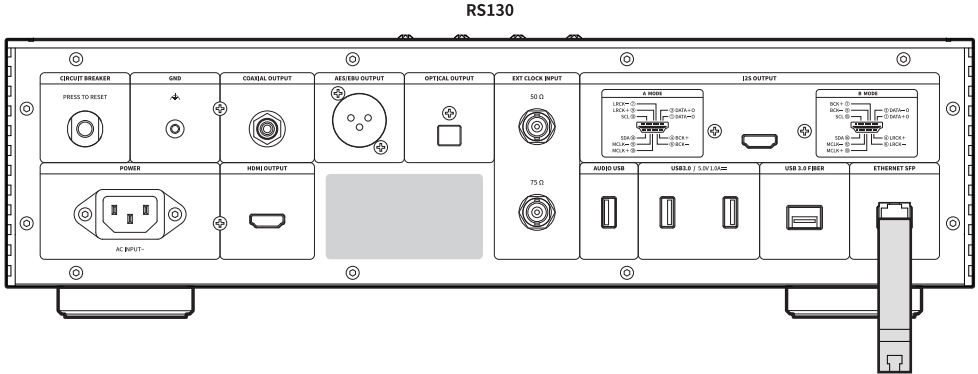
### 3-4. USB 3.0 FIBER

- As shown in the figure below, it can be used by connecting the SFP USB 3.0 module of this product with an external SFP USB3.0 fiber hub.
  - Connect this product and an external SFP USB 3.0 fiber hub device with an optical cable.
  - When a USB flash drive is inserted into the USB fiber hub, the device can recognize and use it through an optical cable.
- ※ Only USB 3.0 storage devices can be used. USB 2.0 is not supported.
- ※ The SFP USB3.0 module, external SFP USB3.0 fiber hub and other accessories must be purchased separately.



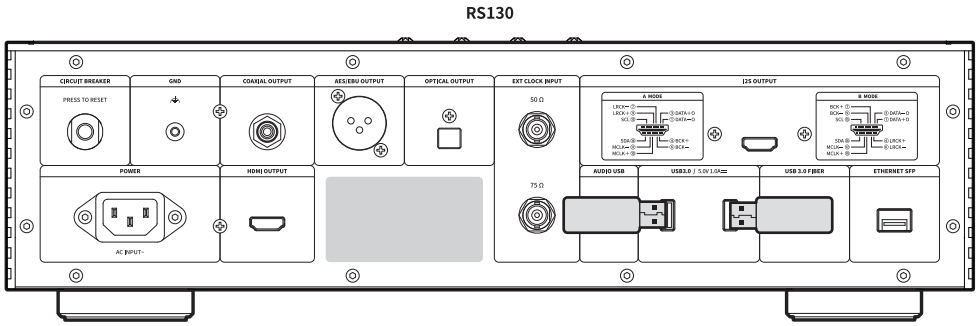
## 3-5. Connect to Ethernet SFP

- As shown in the figure below, insert the SFP Ethernet copper module on the back of the product and connect the Ethernet cable (RJ45).
- Before inserting the SFP module, be sure to detach the module with the power off.
- When using other products' SFP Ethernet copper or fiber module, use a module that supports up to 1000BASE-T.



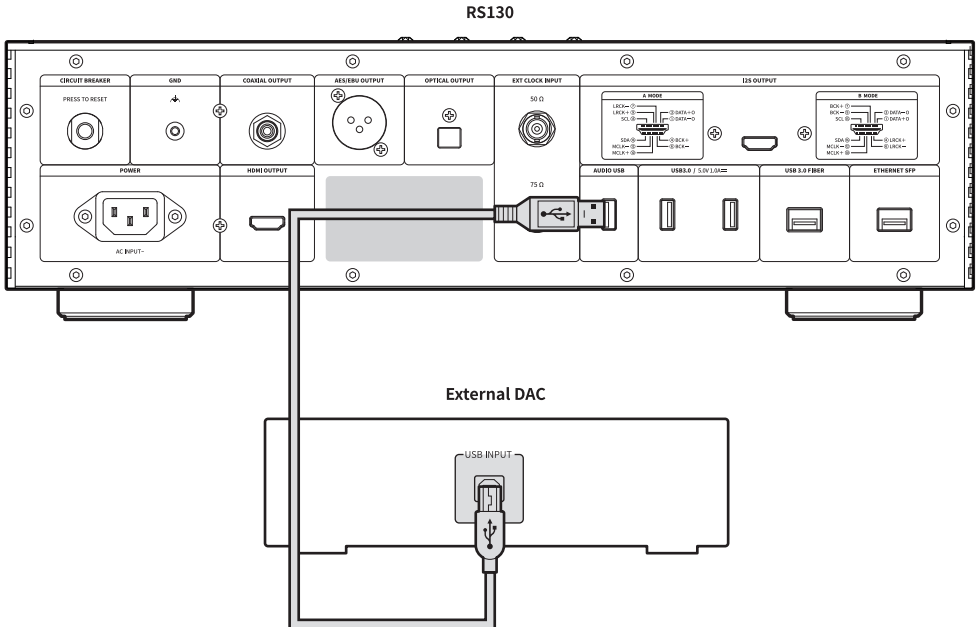
### 3-6. How to Connect the USB Flash Drive to DAC

- A USB 3.0 / USB 2.0 storage device or Wi-Fi BT module can be connected to the USB port of this product.



### 3-7. How to Connect the USB Audio Output Port to External DAC

- Connect the device as shown in the figure below.
  - You can connect an external DAC to the USB port of this product.
  - After connecting an external USB DAC to the USB 2.0 port of this product, you can select USB output in the Input/Output Settings and then select the output with the recognized external USB DAC.
- ※ This product complies with the USB Audio Class 2.0 specifications.



## 4. External Memory Devices (USB) and SATA Storage Devices

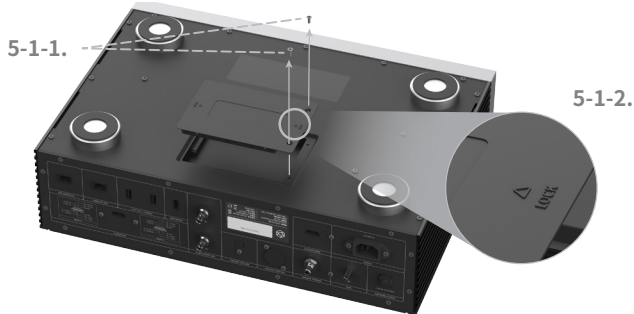
---

- This product can connect external memory devices and SATA type storage devices.
- When connecting a storage device using SATA, it is recommended to use an SSD.
- USB storage devices are compatible up to 10TB, SATA storage devices up to 4TB.
  - ※ SSD can be purchased separately, and only 7mm thickness can be used.
  - ※ It has only been tested on SAMSUNG SSD for compatibility, and may not function normally on some SSD(Intel).

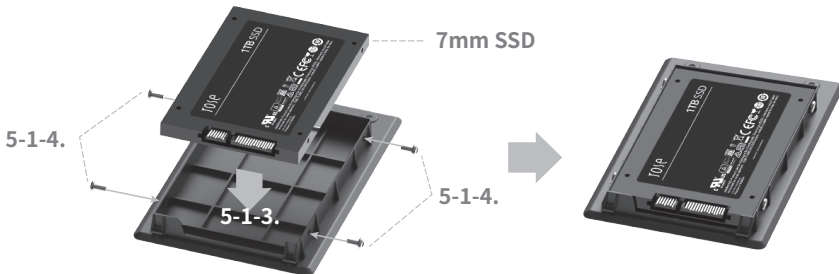
# 5. How to Connect SSD

## 5-1. How to Insert SSD

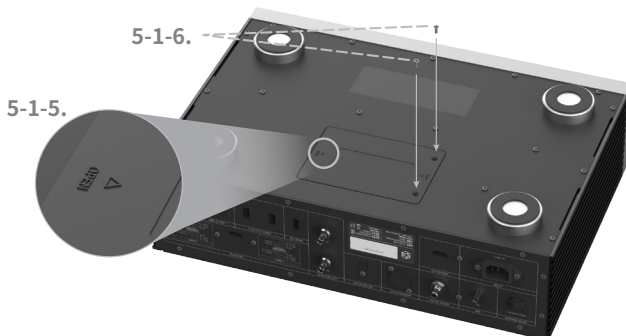
- **5-1-1.** Remove the SSD cover fixing screws (2 pcs) on the bottom of the main body.
- **5-1-2.** Remove the SSD cover by pushing the part marked OPEN.



- **5-1-3.** Install the SSD in line with the port on the SSD cover.
- **5-1-4.** Fix the SSD to the SSD cover with the SSD mounting screws (4 pcs).

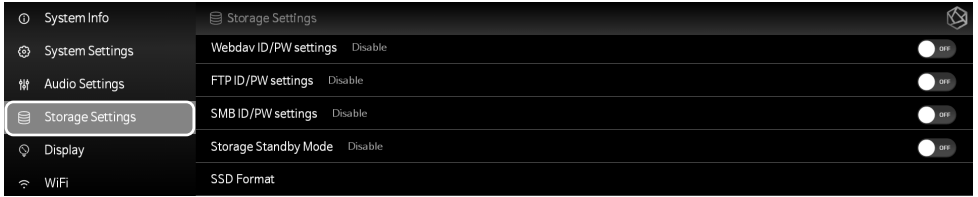


- **5-1-5.** Assembly the SSD cover with the SSD installed on the main body.
- **5-1-6.** Push the part marked LOCK to re-fix the screws.



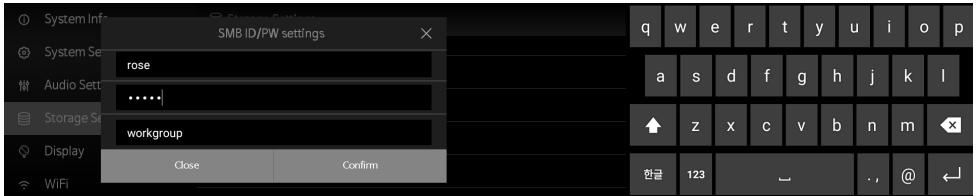
## 5-2. How to Format After Installing SSD

- You can format the SSD connected to this product from the SSD Format menu in Storage Setting.

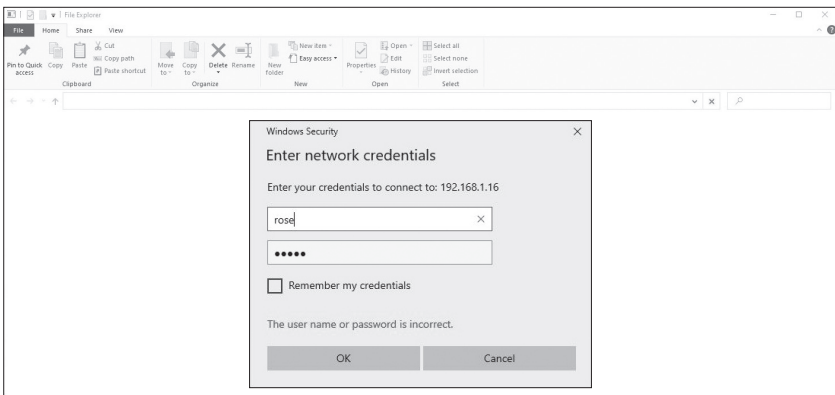
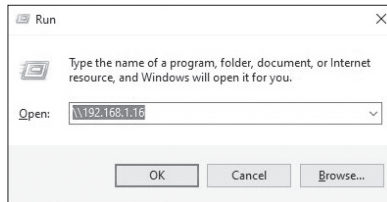


## 5-3. How to Copy Files Through the Network

- Set SMB ID/PW in Storage Settings.



- After entering \\WROSE IP on your PC, enter the ID/PW that you set up in SMB, and the storage connected with this product will appear and you can copy the files directly from your PC.
- ※ To connect to the SMB of this product from a PC, both devices must be connected to the same network.

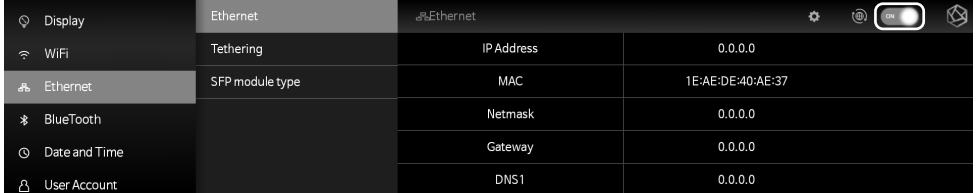


# 6. Network Connection

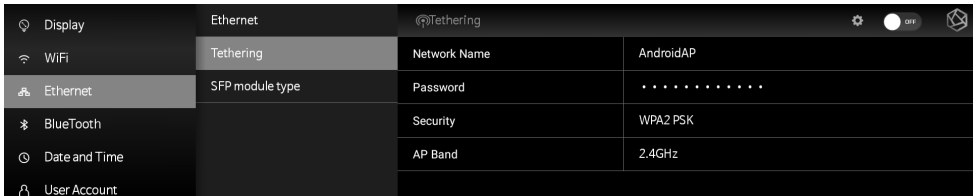
- This product can be connected to the network via wired/wireless connection.

## 6-1. Ethernet Connection (Wired)

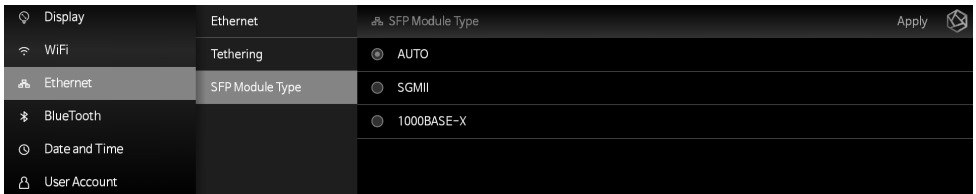
- After you connect a LAN to the rear Ethernet port, select ON from the Settings - Ethernet menu to connect to the network.
- When connected normally, the IP address and other information are automatically received.



- After Ethernet connection, you can use this product as a WiFi hotspot. After entering the network name and password, you can enable the hotspot function, and other devices can use the password to connect to this WiFi hotspot.



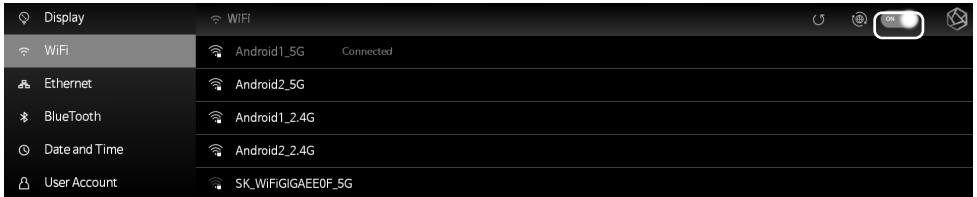
- SFP Module Type  
You can set the SFP module type to Auto/SGMII/1000BASE-X.



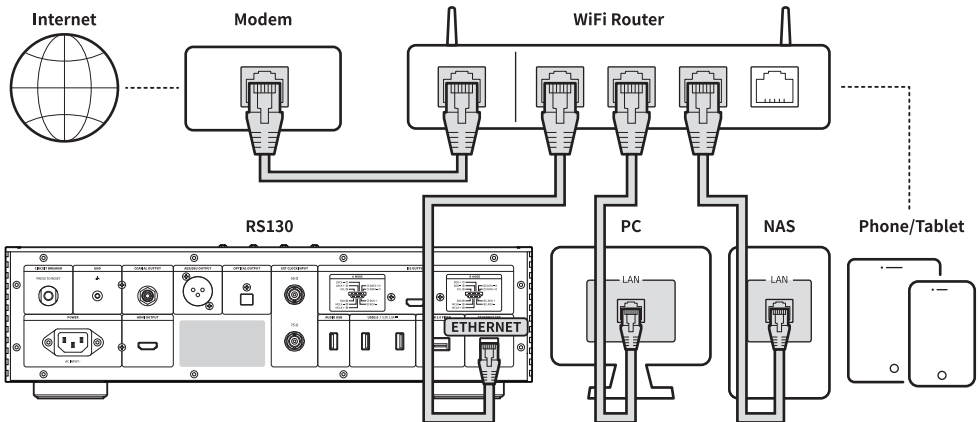
## 6-2. WiFi Connection (Wireless)

※ Wi-Fi/BT dongle connection required.

- When you turn on WiFi from the Settings - WiFi menu, a list of currently accessible SSIDs appears, and you can select the desired SSID to connect to the network.



※ You can remotely control this product by downloading and installing the ROSE Connect Premium App supported through the Google Play Store and App Store on your smartphone.



※ To control this product on your smartphone (ROSE Connect Premium), it must be connected to the same network. (You can configure a single network using wireless network extenders, bridges, etc.)

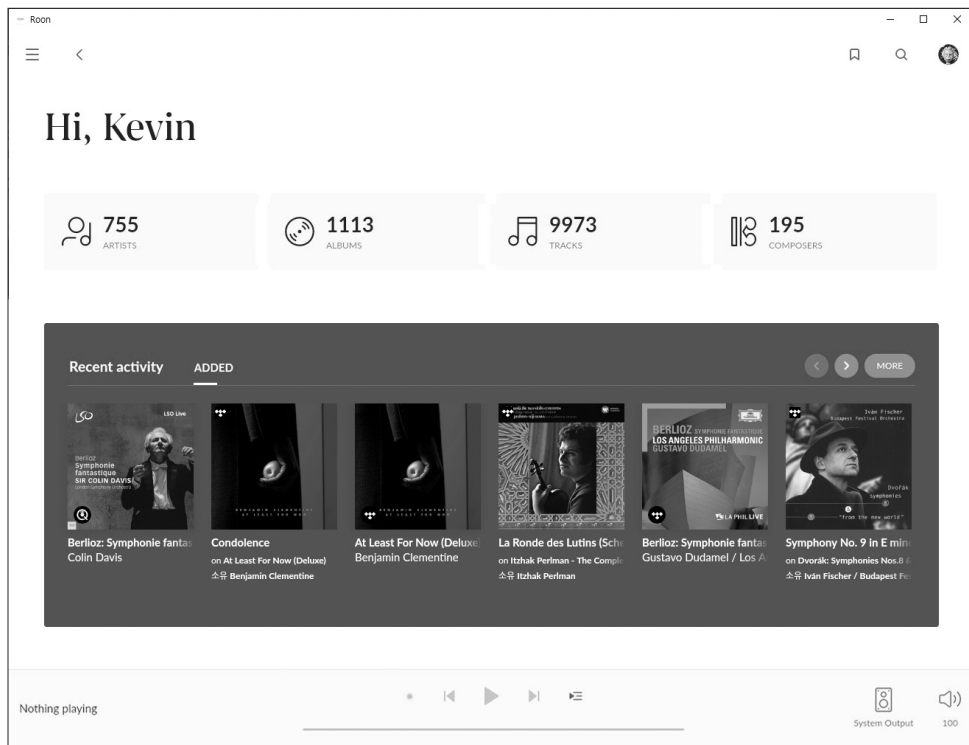
## 7. How to Pair with the Bluetooth Remote Control

※ Wi-Fi/BT dongle connection required.

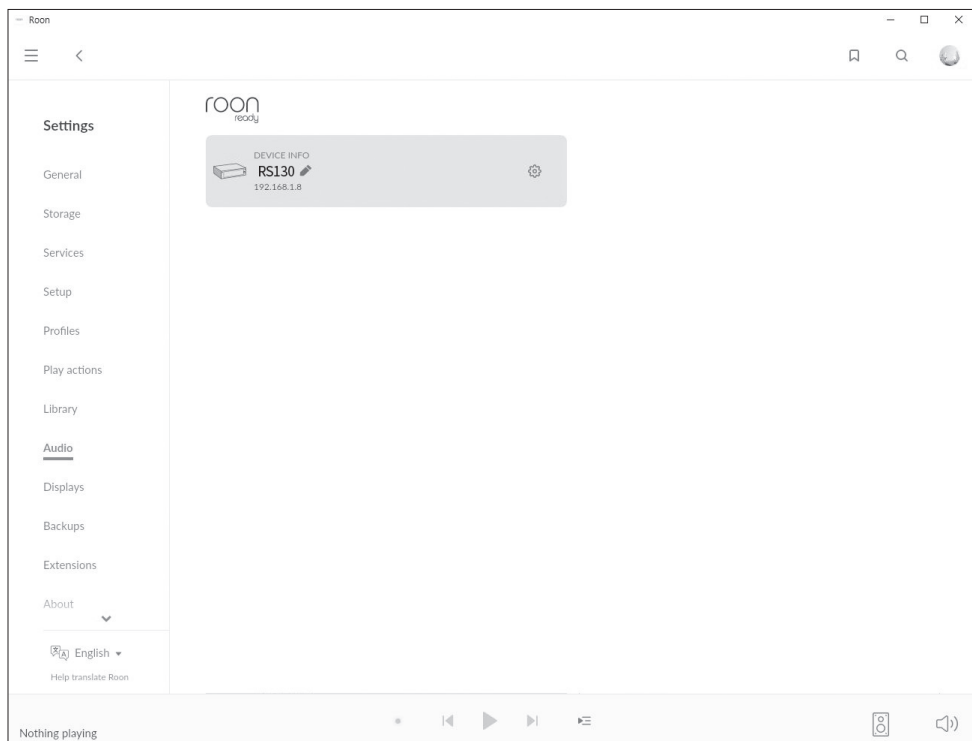
- 7-1. Press the Home (🏠) and Options buttons (☰) on the remote control at the same time for about 5 seconds.
- 7-2. When the white LED light on the remote control turns on, go to the Settings - Bluetooth menu. Set the Bluetooth switch to ON and then select "Devices Search (🔍)".
- 7-3. After selecting "ROSE RCU" from the "Scanned Device List", if you select "ROSE RCU" from "Paired Devices", the light will change to gold and the pairing is completed.

## 8.How to Connect to RoonReady

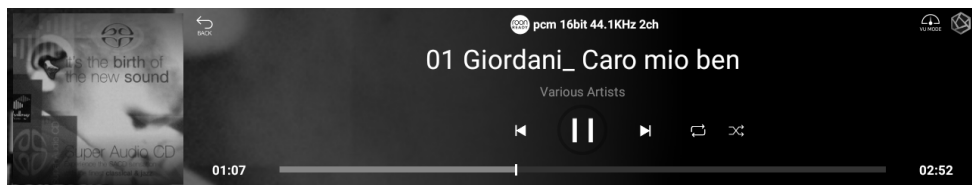
- Before using RoonReady, first access the homepage (<http://roonlabs.com>) and create an account. Download RoonCore and install the Software on your PC.
- Various music managed by RoonCore will appear.



- Select this product from “Select Audio” in Settings - Audio.






- Once the connection with ROSE is complete, you can play and listen to music on the RoonReady.



※ To control this product from RoonReady, both the product and RoonReady must be connected to the same network.

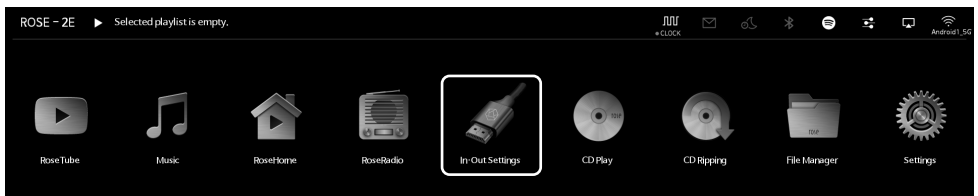
# Default Settings

## 1. Power Button

- **1-1.** You can turn this product on and off by pressing the power button briefly.
  - 1-1-1.** If you press the power button briefly, the product will enter the standby mode when the power is on, and the product will be turned on when the power is off.
  - 1-1-2.** If you press the power button during booting, the product will turn off.
- **1-2.** Press the power button for 3 seconds to display the [LCD OFF | Power OFF | Reboot] menu.
  - 1-2-1.** LCD OFF (  ) : Music is played and only the screen is turned off. If you press the power button again while the LCD is off, the screen will be turned on.
    - ※ This function can only turn off the screen while using the product.
  - 1-2-2.** Power OFF (  ) : The power will be turned off.
  - 1-2-3.** Reboot (  ) : The product will be turned off and on and then display the home screen.
    - ※ If you touch a screen other than the menu, it will be canceled.
- **1-3.** Press and hold the power button for more than 5 seconds to force a reboot.

## 2. In/Out Setting

- Select the “In/Out Setting” icon on the main screen to move to the In/Out Setting menu.



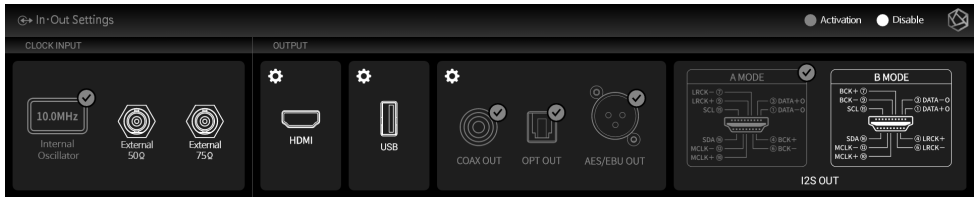
## 2-1. CLOCK INPUT

- You can choose where to source the system master clock by selecting the icon in the Clock Input Settings menu. When enabled, the color of the clock source icon changes to gold and a check mark appears.

※ Only one input can be selected at a time.

### 2-1-1. INTERNAL CLOCK INPUT

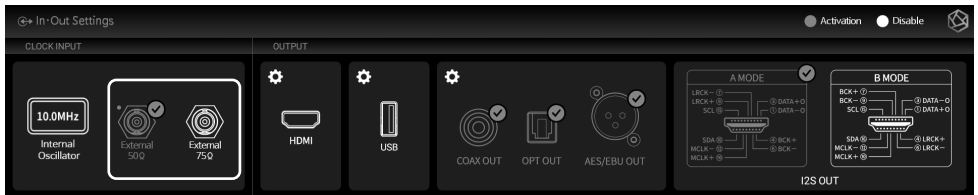
- If you select internal oscillator, it is set to internal clock mode. This is the default setting mode, and the clock inside the product will be used as the master clock.



### 2-1-2. EXT CLOCK INPUT

- To use the master clock using an external device, select “50Ω / 75Ω”.

※ Set the correct device impedance value after checking whether the output impedance value of the external device is 50 Ω or 75 Ω.

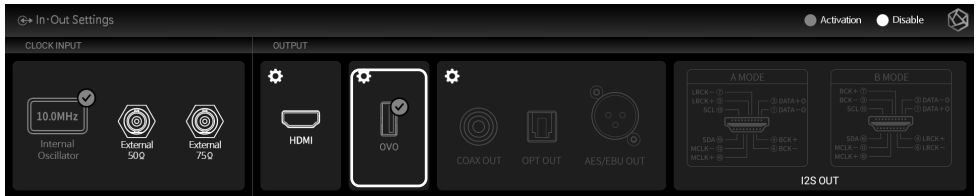


## 2-2. OUTPUT

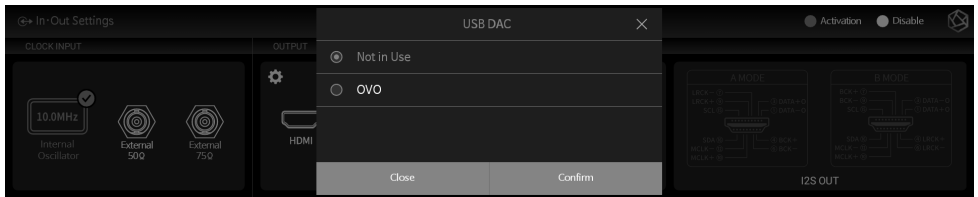
- You can enable/disable output settings by selecting the icon in the Output Settings menu. When enabled, this icon changes to a gold color and a check mark appears.
- Only one output of total three groups between HDMI output, USB output, and other digital output can be selected.
- Within other digital output group, you can enable multiple output ports.

### 2-2-1. USB DAC Output

- If you select USB after connecting a USB DAC, a list of connected USB DACs appears. Select USB DAC you wish to use from the list.



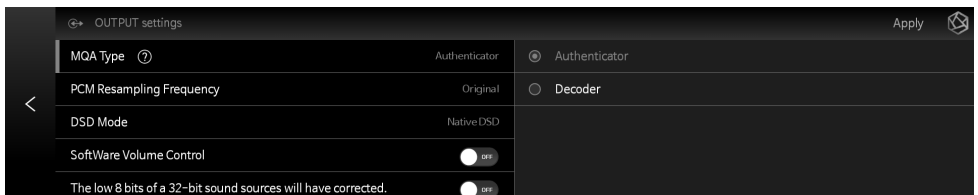
- When USB DAC is selected, the model name of the selected USB DAC appears and it becomes available.



- If you select the USB DAC setting icon (gear icon), the following USB DAC setting screen appears.

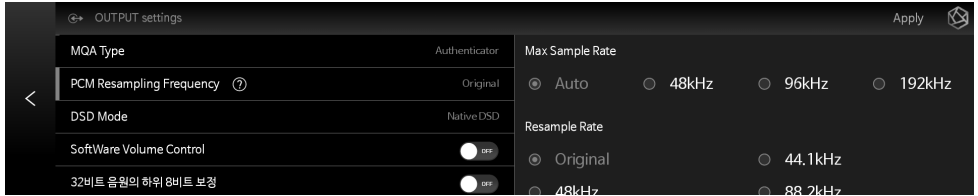
#### 2-2-1-1. MQA Type

- This is the menu to set the MQA playback mode. You can select Authenticator or Decoder mode. Only original sound or decoded audio data can be exported to digital output; full-decoded audio data cannot be exported.



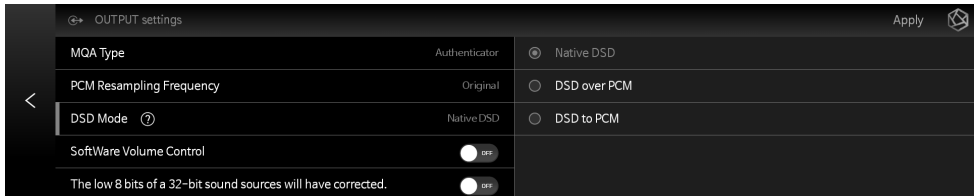
### 2-2-1-2. PCM Resampling Frequency

- This menu is used to set the sampling frequency. If you want to output the original sound, select the Original Sampling Rate. If you want to use the resampling function, select the desired sampling rate (44.1kHz, 48kHz, 88.2kHz, 96kHz, 176.4kHz, 192kHz, 384kHz, etc.).



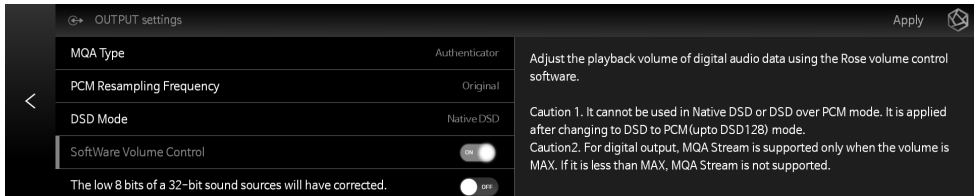
### 2-2-1-3. DSD Mode

- This is the menu to select the transmission format (Native, DOP, PCM) of audio samples to be delivered to the DAC when playing DSD music files. For USB DACs, you need to select and use Native, DOP, and DSD to PCM to play DSD music files, depending on the type of DAC you connected to.



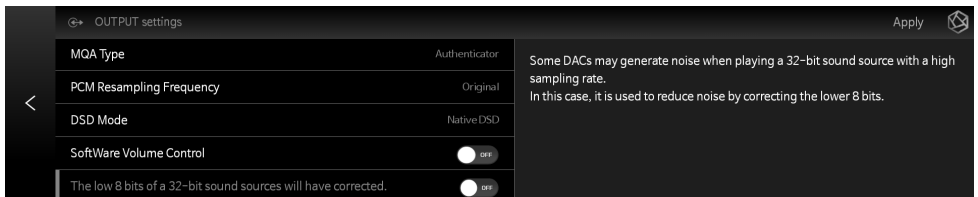
### 2-2-1-4. Software Volume Control

- Adjust the playback volume of digital audio data using the Rose volume control Software.



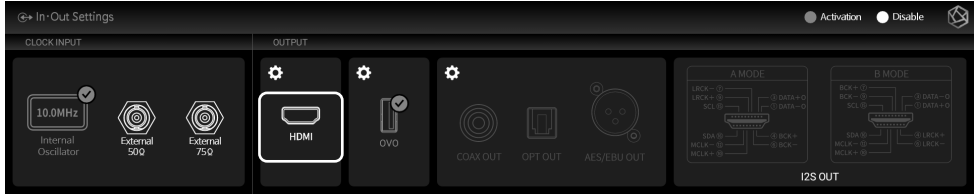
### 2-2-1-5. The low 8 bits of a 32-bit sound sources will have corrected

- The low 8 bits of a 32-bit sound sources will have corrected.  
Some DACs may generate noise when playing a 32-bit sound source with a high sampling rate. In this case, it is used to reduce noise by correcting the lower 8 bits.



## 2-2-2. HDMI Output

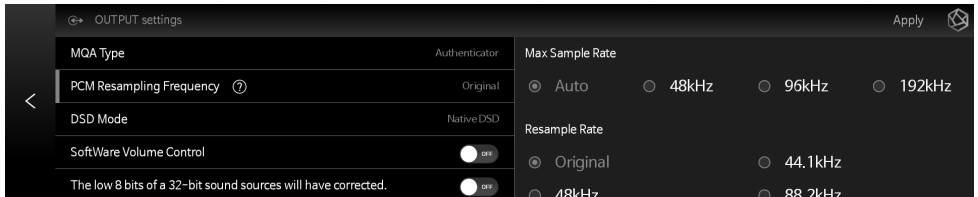
- You can set up HDMI.



- If you select the HDMI setting icon (gear icon), the HDMI Settings screen appears, as shown below.

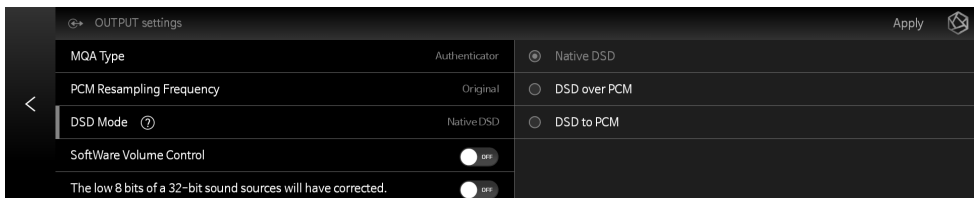
### 2-2-2-1. PCM Resampling Frequency

- This is the menu to set the Sampling Frequency. Select Original Sampling Rate if you want to output the original sound or select the desired sampling rate (44.1kHz, 48kHz, 88.2kHz, 96kHz, 176.4kHz, or 192kHz) to use the re-sampling function.



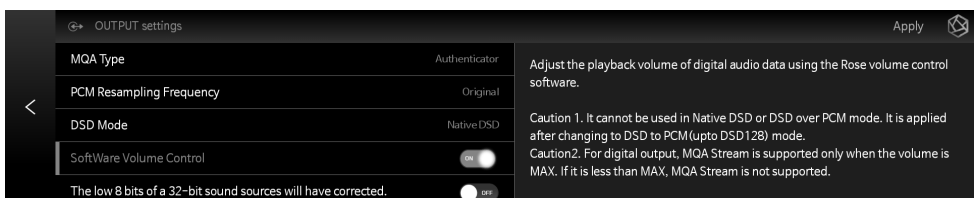
### 2-2-2-2. DSD Mode

- This is the menu to select the transmission format (Native, DOP, PCM) of audio samples to be delivered to the DAC when playing DSD music files. For HDMI output, only DSD to PCM is possible.



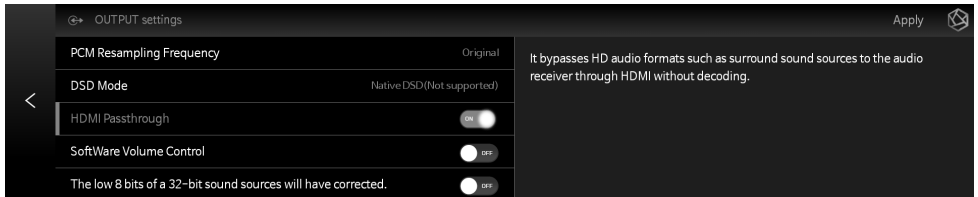
### 2-2-2-3. Software Volume Control

- Adjust the playback volume of digital audio data using the Rose volume control Software.



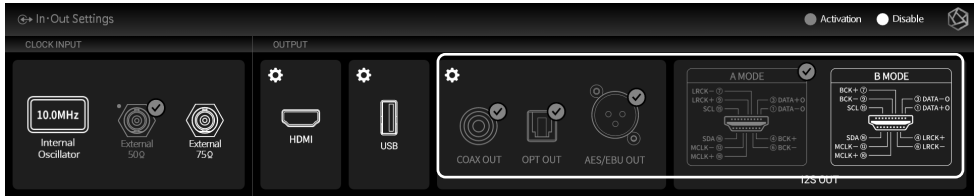
## 2-2-2-4. HDMI Passthrough

- This function bypasses HD audio format sources, such as surround sound, to the audio receiver through HDMI without decoding.



## 2-2-3. Digital Output

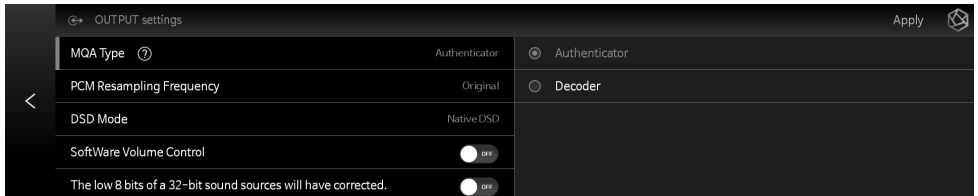
- You can set OPT OUT, AES/EBU OUT, I2S OUT(A/B) and COAX OUT.



- If you select the Digital setting icon, the Digital output setting screen appears as follows.

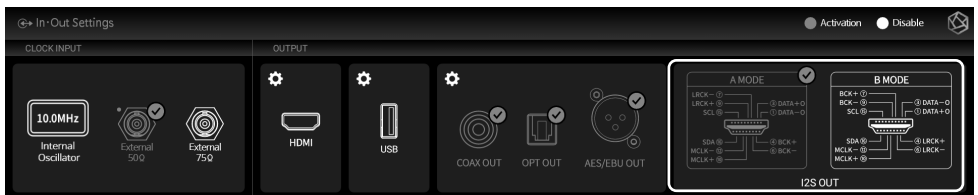
### 2-2-3-1. MQA Type

- This is the menu to set the MQA playback mode. You can select Authenticator or Decoder mode. Only original sound or decoded audio data can be exported to digital output; full-decoded audio data cannot be exported.



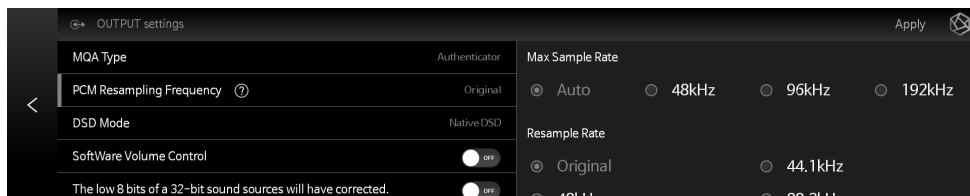
### 2-2-3-2. I2S OUT(HDMI)

- You can output the I2S signal. Select the appropriate mode for the I2S input port you are using by referring to the pin layout of A and B modes.



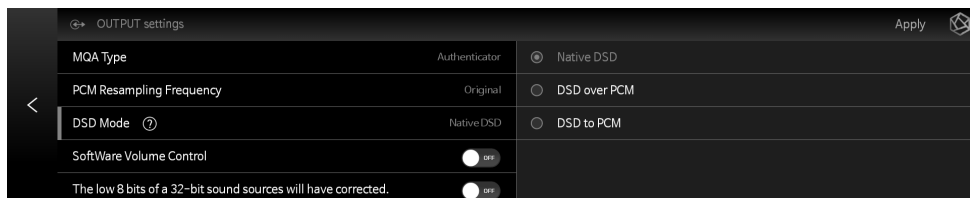
### 2-2-3-3. PCM Resampling Frequency

- This is the menu to set the sampling frequency. Select Original Sampling Rate if you want to output the original sound or select the desired sampling rate (44.1kHz, 48kHz, 88.2kHz, 96kHz, 176.4kHz, or 192kHz) to use the re-sampling function.



### 2-2-3-4. DSD Mode

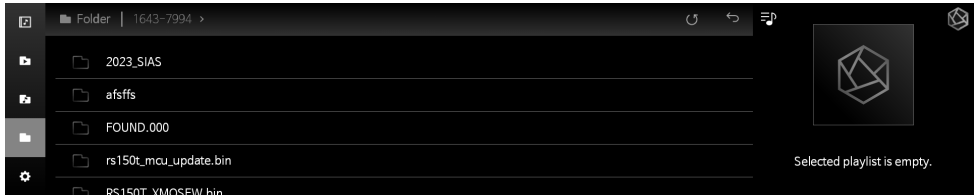
- This menu determines the transmission format (Native, DOP, PCM) of the audio sample to be delivered to the DAC when playing the DSD sound source.
- Optical output does not support native DSD mode. When using DOP mode, it can support up to DSD64.
- Coaxial and AES/EBU outputs do not support native DSD mode. When using DOP mode, it can support up to DSD128.
- I2S output supports up to DSD512 in native mode. In DOP mode, it can support up to DSD256.
- When set to DSD to PCM (up to DSD512) mode, up to DSD512 is supported.



# Playback

## 1. Default Playback

- You can play music and video files by connecting a USB storage device to a USB port on the rear of this product.
- SATA HDD/SSD can be installed at the bottom of this product. ※ Thickness: 2.5inch / 7mm
- After selecting Music or Video on the Home screen, you can play music files in the storage device by entering the Folder tab.

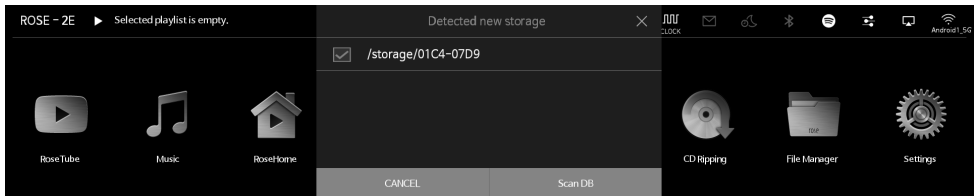


## 2. Media Library

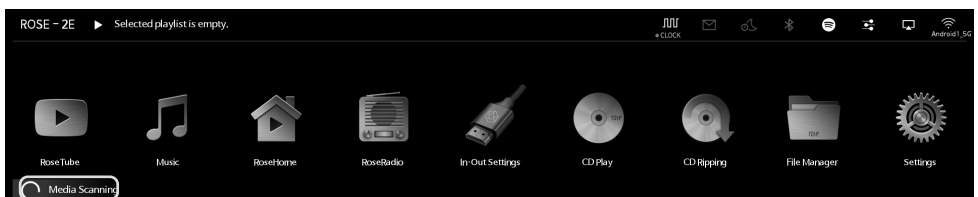
- You can save the music in storage media or network shared folder as a database (DB) by scanning the media.

### 2-1. Activate Media Scanning

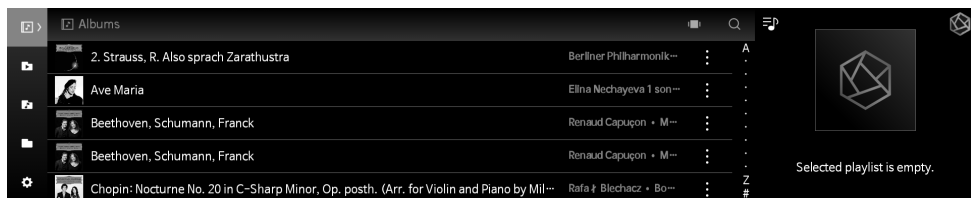
- When you connect a new storage device to a USB port on the rear of the device, a new storage detection pop-up appears.



- When you select the “Scan DB” button in the new storage pop-up, media scanning starts from the connected storage device. (Depending on storage capacity, media scanning time may vary.)
- During DB scanning, the “Media Scanning” loading image is displayed at the bottom left of the main screen of this product.



- After the DB scanning is complete, the album art and list of music and videos are displayed, and you can play the music.
- You can also add, research, and delete DB through the Music/Video and Settings menu.



## 2-2. After Media Scanning

---

- The album list is displayed in the form of album art, and you can play the entire list in the album.
- You can sort and play music by album, artist, genre, and composer.
- You can search for music by artist and album name.
- You can save your favorite music and albums using the Playlist and Favorite features.

# Additional Information

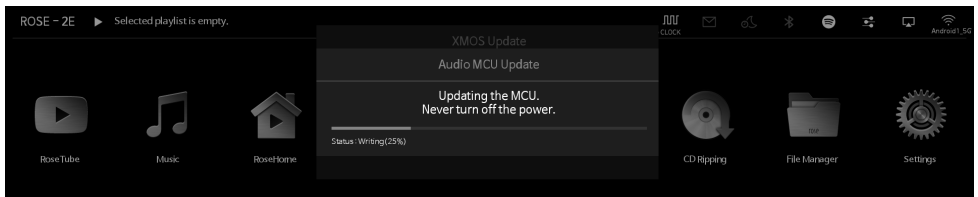
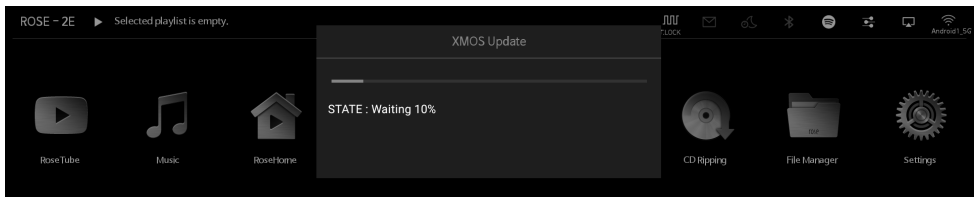
## 1. Firmware Update

### 1-1. Run OTA Update

- The system update pop-up appears if the latest version of the update is available while the network is connected.



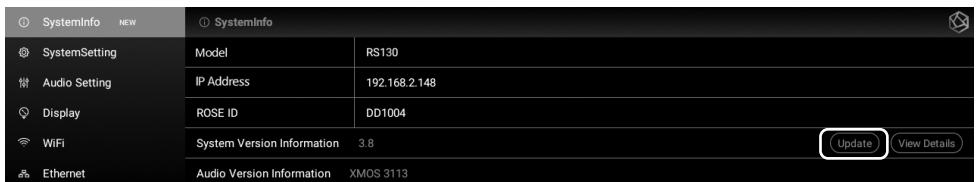
- If you select the “Yes” button in the system update pop-up, the OTA update is in progress.



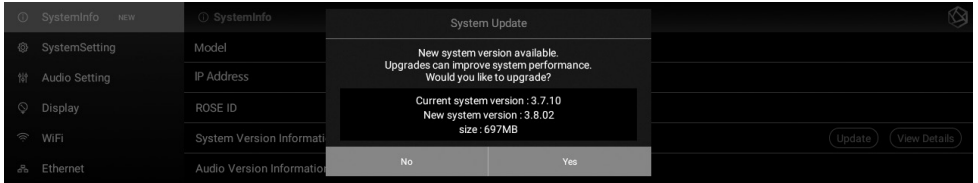
- After rebooting, the SW system update is complete.  
⚠ **Caution:** Never remove the power as it may cause problems if you forcibly remove the power during the update.

### 1-2. Update Via Settings Menu

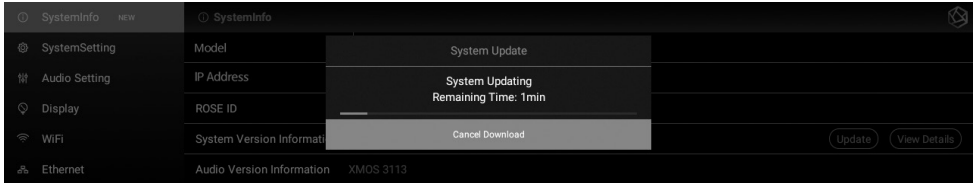
- If an update for the latest version is available, the Update button is displayed in the system version information on the Settings menu.



- If you select the update button, the system update pop-up is displayed.



- If you select the “Yes” button in the system update pop-up, the OTA update is in progress.



- After rebooting, the SW system update is complete.

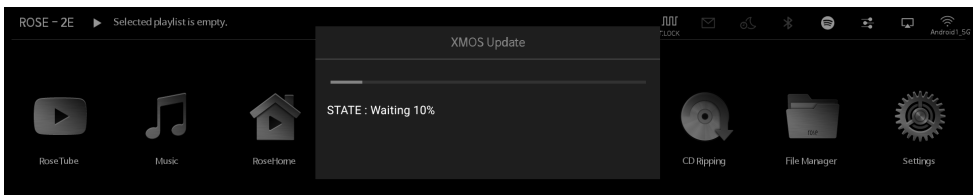
⚠ **Caution:** Never remove the power as it may cause problems if you forcibly remove the power during the update.

## 1-3. How to Install the Firmware When the XMOS/MCU Update Pop-Up Occurs

- If a firmware update is available after the system update, the update window will automatically appear and you can proceed with the firmware update.
- Updates can occur in the following cases.

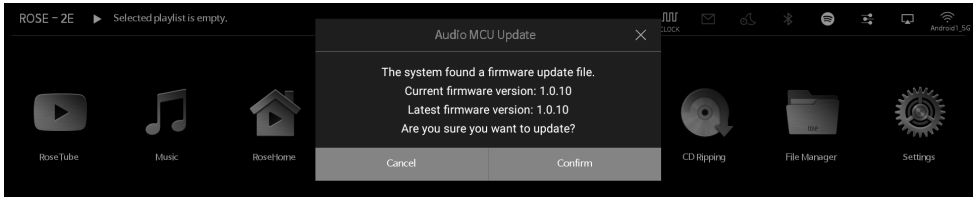
### 1-3-1. If there is only an XMOS update

- The device automatically reboots after executing the XMOS update.



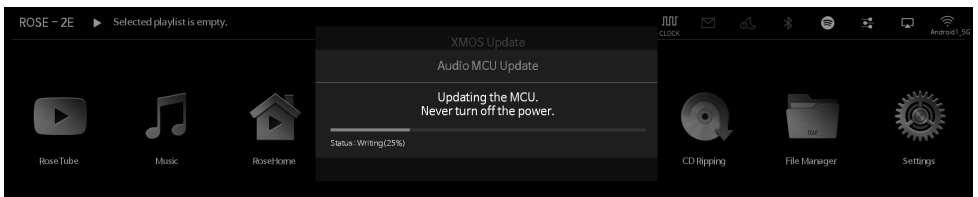
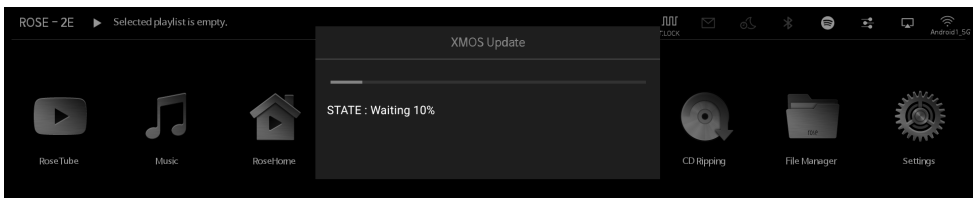
### 1-3-2. If there is only an Audio MCU update

- The device automatically reboots after executing the Audio MCU update.



### 1-3-3. When Both XMOS/Audio MCU Updates Are Available

- After completing the XMOS update, the Audio MCU update is automatically executed. It will then automatically reboot.



⚠ **Caution:** Never remove the power source as forced removal during the update may cause problems to arise.

## 2. Factory Reset

---

- Factory reset is recommended when this product does not work or firmware update via Internet fails. Upon factory reset, all custom settings including DB Scan data, settings and storage data for each app, apps installed through ROSE Store, WiFi network settings, shared files, and saved playlists are reset. Reset is required after factory reset.
- This product can be reset or restored to default settings.
- You can return the system to the default settings in the “Settings - System Settings - Factory Reset” menu option.
- After factory reset, be sure to connect to a wired or wireless network and go to the ROSE Store on the Home screen to update all Software that has not been updated.

# Product Specifications

## 1. Specifications

Part		Specifications
Main Chipset		RK3399(28nm HKMG Process) / Six-Core ARM® 64-bit processor, up to 2.0GHz Based on Big.Little architecture, Dual-Core Cortex-A72 and Quad-Core Cortex-A53 with separate NEON coprocessor / ARM Mali-T860 MP4 Quad-Core GPU
OS		Customized Android 7.1 based ROSE OS
Design	Size	430 (W) x 317 (D) x 125 (H) mm
	Weight	12kg
Memory	DRAM	4GB Dual-Channel LPDDR4
	Flash	8GHz High-Speed eMMC / M.2 M-key 256MB NVMe / External SSD Supported
Codec	Video	H.264 / H.265 / VP9 up to 4K x 2K @ 60fps / H.264 / MVC / VP8 Encoders by 1080p @ 30fps
	Audio	XU216(XMOS) - PCM : 8kHz ~ 768kHz (8 / 16 / 24 / 32bits per Sample) - DSD Native: DSD64(1bit 2.8MHz), Stereo DSD128(1bit 5.6MHz), Stereo DSD256(1bit 11.2MHz), Stereo DSD512(1bit 22.4MHz), Stereo - SPDIF Output - USB Audio Class 2.0 device
Front	Button	Power, Mute, Favorites, Play / Pause
	LCD & TSP	TFT LCD 15.4" 1920 x 382 pixels(eDP) / Active area: 381.888 x 75.97mm / Capacitive touch
	IR	38kHz IR receiver port
Rear	AC INLET	AC 100~240V
	I2S	AES/EBU OUT x 1 / HDMI I2S OUT x 1
	SATA	2.5" SSD
	SFP Ethernet	10/100/1000 BASE-T x 1 (SFP COPPER Type)
	USB3.0	USB3.0 / 1A (V-Type) x 2, SFP x 1
	USB2.0	USB2.0 / 500mA Class 2.0 device x 1 (USB-DAC Output)
	Optical Out	SPDIF x 1
Coaxial Out	RCA x 1	
AUDIO Input / Output Specification		
Input	BNC	EXT 10MHz 50ohm IN x 1, EXT 10MHz 75ohm IN x 1
Output	HDMI	HDMI2.0 4K x 2K 60Hz display resolutions
	I2S (HDMI)	32bit/768kHz sampling rate
	SPDIF	24bit/192kHz sampling rate
	AES/EBU	32bit/384kHz sampling rate
	Coaxial	32bit/384kHz sampling rate
Accessories	Remote Control	IR(38kHz) Bluetooth combo remote control
	Power Cord	AC Cord 1.5m

# Quality Guaranteed

<b>Model Name</b>	RS130
<b>Date of Purchase</b>	Y Y Y Y / M M / D D
<b>Place of Purchase</b>	Name of Store
	Telephone
<b>Serial No.</b>	
<b>Telephone</b>	
<b>Term of Guarantee</b>	1 year from the date of purchase

- Name of the Company that Received the Conformity Assessment: Citech Co., Ltd.
- Manufacturer / Country of Manufacturer: CI Tech Co., Ltd. / Republic of Korea
- Identification Code of the Certified Company: SYH
- Certification No.: R-R-SYH-RS130

## Things to Check Before Contacting a Service Center

---

- Please restart the product if touch does not work or if the screen freezes. Press and hold the power button for more than 5 seconds to force a reboot.
- In small spaces that are not suitable for product installation conditions (p. 17), heat can cause the product and affect the life and performance of the product.
- When the device is connected to the Internet, the sound may be cut off during playback if the radio wave is unstable or weak, or if the Internet usage is heavy, and the wireless Internet may also be delayed or not received due to the nature of wireless communication, so please move your device to another location and try to reconnect.
- Content-specific files are optimized according to product characteristics, design specifications, and business needs. Therefore, even with the same content, there may be differences in volume, tone, etc. with other manufacturers and other models.
- Precautions for Product Delivery to the Service Center  
Be sure to pack the product in the original box and inner protective material to prevent damage when delivering the product by courier. Please note that we are not responsible for damage to the product during transportation of the product in other packaging.
- Free repair: Limited to naturally occurring failures within one year from the date of purchase, which is the warranty period of the product.
- Paid repair: If the warranty period has expired, or even if it is within the warranty period, in the following cases, the actual cost of repair (including part costs) will be charged.
  - Failure due to consumer negligence during use
  - Repairs or modifications made by persons other than company engineers
  - Failure or damage caused by an abnormality in the power supply
  - Failure due to a natural disaster
- Repair Service Application Guide
  - If a failure occurs during use, stop using it immediately and consult with the place of purchase or the customer support office of the company first.
  - Information required for reporting
    - . Model name and serial number (manufacture date)
    - . Place and date of purchase
    - . Consumer information including contact information and address
    - . Symptoms of failure
    - . All other matters necessary for repair service

## Product Website: [www.hifirose.com](http://www.hifirose.com)

---

- Subscribe to our newsletter to get the latest news, events and new products from ROSE.

